



# Vortex Mixers



## *Choose the Perfect Vortex Mixer From Four Durable Models for Everyday Mixing*

Four OHAUS Vortex Mixer models for gentle to high-speed reliable mixing. Non-digital model offers variable speed control, and digital model allows input of the exact speed and time to achieve repeatable results every time. Pulsing model features a unique pulse action that reduces heat generation, while providing more effective mixing and cell disruption. Fixed speed model offers simple one-touch, high-speed mixing for repeat applications.

### *Unique Features:*

- Touch mode operation activates mixing when depressing the cup head or continuous mode for use with accessory attachments. Sturdy, rugged design ensures the unit stays in place while in use.
- Robust digital and non-digital Vortex Mixers offer effective speed control from low RPM start-up for gentle shaking to high-speed mixing for vigorous vortexing of samples.
- The Fixed Speed Vortex Mixer is an economical choice for vigorous mixing of samples at high speed. To ease repetitive sample processing, this unit provides simple, effective full-speed mixing.

# Vortex Mixers

Model	VXMNFS	VXMNAL	VXMNDG	VXMNPS
Control	Fixed Speed	Analog	Digital	Pulsing, digital
Speed Range	3200 rpm	300 rpm – 3200 rpm	500 rpm – 3000 rpm	
Orbit	4.9 mm (0.19 in.)			2.5 mm (0.098 in.)
Timer	Not Applicable		1 second to 9999 minutes	
Duty Rating	Intermittent			
Working Environment	39 °F – 104 °F, 20% – 85% relative humidity, non-condensing			
Power	120V, 1.2A, 50/60Hz			
Power Consumption	135 W			
Dimensions (W x L x H)	4.8 x 8.3 x 6.5 in. / 123 x 210 x 165 mm			
Net Weight	9 lb / 4.4 kg			

## Other Standard Features and Equipment

Detachable 3-wire cord and plug, cup head and 3-inch accessory platform for beakers, flasks, test tubes etc. (included with all models), stainless steel microtube holder for 12 tubes (included with pulsing model only).

## Compliance

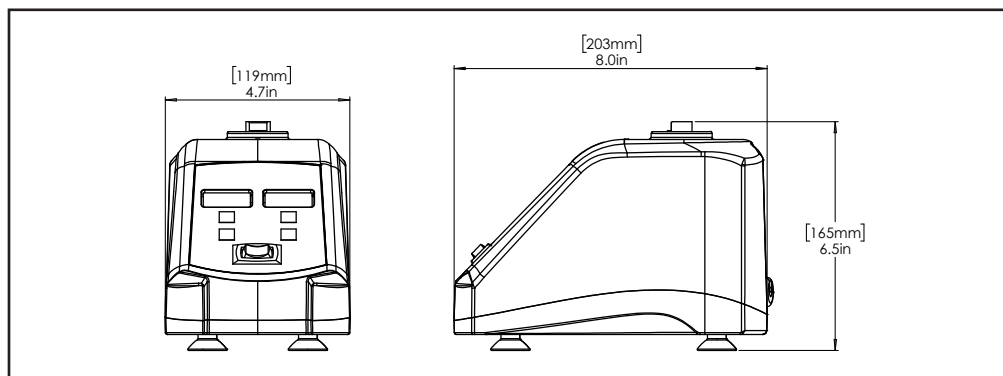
- **Product Safety:** CAN/CSA C22.2 61010-1, CAN/CSA C22.2 61010-2-051, UL 61010-1
- **Electromagnetic Compatibility:** ICES-003 Class A, FCC Part 15 Class A
- **Compliance Marks:** TÜV SÜD

## Accessories

Item No.	Description	VXMNFS	VXMNAL	VXMNDG	VXMNPS
30400235	Cup Head	•	•	•	•
30400236	7.6 cm Head (3 in.)	•	•	•	•
30400237	7.6 cm Rubber Head Cover (3 in.)	•	•	•	•
30400196	8 cm Head with Rubber Cover	•	•	•	•
30400197	Tube Holder Kit with Retainer	N/A	•	•	•
30400198	Micro Tube and Well Plate Holder Kit with Retainer	N/A	•	•	•
30400199	Micro Well Plate Kit with Retainer	N/A	•	•	•
30400200	Microtube Kit with Retainer	N/A	•	•	•
30400201	Foam Insert Variety Pack*	N/A	•	•	•
30400202	Single Tube Holder	N/A	•	•	•
30400203	Single Tube Holder Adapter Vortex Genie	N/A	•	•	•
30400204	0.5 mL Micro-Tube Holder	N/A	•	•	•
30400205	1.5-2.0 mL Micro-Tube Holder	N/A	•	•	•
30400206	1.5-2.0 mL Stainless Steel Tube Holder	N/A	•	•	•
30400207	Ampule Tube Holder - Small (15-17 mm)	N/A	•	•	•
30400208	Ampule Tube Holder - Large (10-17 mm)	N/A	•	•	•
30400227	Insert Retainer	N/A	•	•	•
30400228	Vessel Harness, Pack of 2*	N/A	•	•	•
30400229	Holder For 9-13 mm Tubes, Pack of 2*	N/A	•	•	•
30400230	Holder For 14-19 mm Tubes, Pack of 2*	N/A	•	•	•
30400231	Holder For 20-25 mm Tubes, Pack of 2*	N/A	•	•	•
30400232	Micro-Tube Holder, Pack of 2*	N/A	•	•	•
30400233	Micro-Well Plate Holder, Pack of 2*	N/A	•	•	•
30400234	Flat Foam Insert, Pack of 2*	N/A	•	•	•

\*Requires Insert Retainer 30400227

## Dimensions



80775180\_F\_20240305 © Copyright OHAUS Corporation

### OHAUS CORPORATION

Tel: 800.672.7722  
973.377.9000  
Fax: 973.944.7177

[www.ohaus.com](http://www.ohaus.com)

The management system governing the manufacture of this product is ISO 9001:2015 certified.

