

# ARCTIKO INT ULUF 125

true cooling specialists



## ULTRA LOW TEMPERATURE UNDERCOUNTER I

The ULUF 125 will add a new dimension to your laboratory. The compact space-saving design and low noise level makes it a perfect storage solution for your laboratory.

### ► COOLING TECHNOLOGY

The small size is achieved by utilizing Arctico's special single compressor technology.

The single compressor technology is specially designed to reduce the number of mechanical components that generates unnecessary heat and noise.

It comes with the same advantages as regular sized -86°C from Arctiko and is best in class in cooling performance.

### ► FILTERLESS CONSTRUCTION

Our filter less construction makes cleaning unnecessary. The evaporator coils are spaced so far apart that dust will not be trapped and obstruct the airflow.

With our unique construction, the dust intake is minimal, which eliminates the need for filters entirely, saving you maintenance time and cost.

### ► CUSTOMIZED SOLUTIONS

Even in this size Arctiko can provide a wide range of accessories for customization of the unit, though it is not required to function.

With an optional CO<sub>2</sub> back-up system will keep your samples cold as long as there is CO<sub>2</sub> available in the system – eliminating the dangers of an unstable power grid or simply bad weather.



ULUF 125\*



SINGLE COMPRESSOR SYSTEM



DIRECT COOLING



FILTERLESS CONSTRUCTION



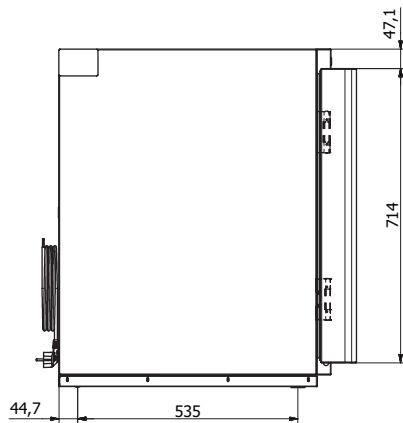
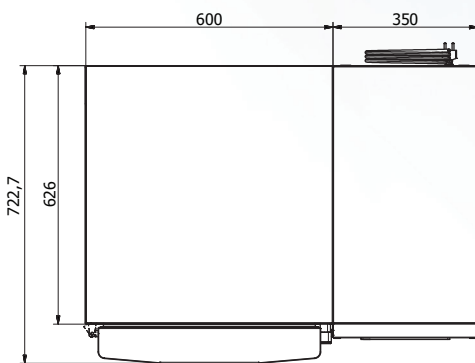
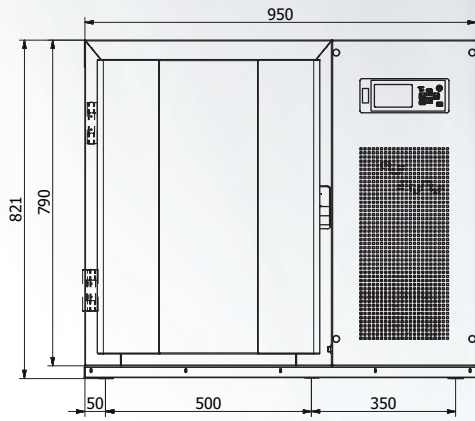
The user friendly G214 controller standard for the ULUF 125. It includes different alarms as; visual, acoustic, open door and more.



Insulated inner door for better recovery time after door openings and optimal temperature stability.



Key lock is a standard feature in our ULUF 125. Placed on side of door for optimal security for your samples.



The ARCTIKO ULUF 125 model supports following optional features:

- Modbus adaptor for G214 controller
- Temperature chart recorder
- CO<sub>2</sub> back-up system
- GSM alarm module
- Voltage converter
- Voltage stabilizer
- Boxes
- Cryo gloves



MODEL	ULUF 125	
Main specifications	Item code	US-DA1 1417
	Temperature range (°C)	-40 / -86
	Temperature range (°F)	-40 / -123
	Max. ambient temperature (°C)	25
	Max. ambient temperature (°F)	77
	Capacity (L)	94
	Capacity (cu. ft.)	3.3
	Exterior dimensions WxDxH (mm)	950x725x821
	Exterior dimensions WxDxH (inches)	37.40x28.54x32.32
	Interior dimensions WxDxH (mm)	360x493x530
	Interior dimensions WxDxH (inches)	14.17x19.41x20.87
	Weight (kg)	111
	Weight (lbs)	245
	Insulation (mm)	120
Insulation (inches)	4.7	
Cooling technology	single system / static	
Controller model / probe type	G214 / PT1000	
Power	Power supply (V)	110
	Frequency (Hz)	60
	Power consumption (kWh/24h)	8,9
	AMP (A)	3,3
	Power (Watt)	515
	Horse power (HP)	5/8
Alarm functions	Alarm display as text - not codes	yes
	Visual / acoustic alarm	yes / yes
	Power failure alarm	yes
	Adjustable high / low temperature alarm	yes / yes
	Open door alarm	yes
	Probe failure alarm	yes
	Low battery alarm	yes
Compressor failure alarm	no	
Battery backup for alarms (approx. hrs.)	72	
Data logging & external connection	Voltage free contact for remote alarm (e.g. GSM alarm module)	yes
	Electronic data logger	yes
	RS 485 port	yes
	USB port for software update & data download	yes
Temperature chart recorder	optional	
Display features	Display type	4,3" with touch buttons
	Number of optional reference probes	2
	Password protection for turning unit on / off	yes
	Temperature graph on display	yes
Other features	Automatic defrost	no
	Vacuum release port	no
	Access port for external probe etc. (int. diameter mm)	no
	Access port for external probe etc. (int. diameter inches)	no
	Light	no
	Lock with key	yes
	Castors (total pcs) / castors with brake (pcs)	2 rollers / 0
	Fixed feet (pcs) / levelling feet (pcs)	0 / 2
	Sub lids / inner doors (pcs)	2
	Reversible door(s)	no
	Fixed shelves (pcs) / adjustable shelves (pcs)	1 / 0
	Max. load per shelf (kg)	25
Max. load per shelf (lbs)	55	
Total capacity of 50 mm / 2 inch boxes (pcs)	48	
Total capacity of 75 mm / 3 inch boxes (pcs)	36	
Total capacity of 96 mm / 3,8 inch boxes (pcs)	32	
Refrigeration & cabinet	Number of compressors	1
	Refrigerant	EP88
	Interior cabinet material	stainless steel
	Exterior cabinet material	electrogalvanized steel
	Colour (exterior cabinet)	white
	Foam type	polyurethane
VIP vacuum insulated panels	no	
Shipping	Shipping weight (kg)	142
	Shipping weight (lbs)	313
	Shipping dimensions WxDxH (cm)	103x81x103
	Shipping dimensions WxDxH (inches)	40,6x31,9x40,6
	Shipping volume (m <sup>3</sup> )	0,86
Shipping volume (cu. ft.)	30,37	