

MVE 1536 Dry Shipper

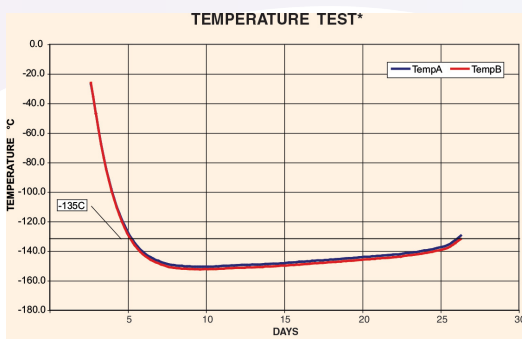
Securely Ship Large Volumes of Samples in Vapor

MVE 1536 Dry Shipper incorporates a rigid steel Isoframe that is sized to fit in a wide-body aircraft and can be moved with a pallet jack and/or forklift. Complete with lockable inventory tray to prevent rotation during transit and a lockable lid. A data logger is included as standard to monitor and record sample temperature during transportation or relocation.



Key Features

- Liquid Nitrogen absorbent can be charged for dry shipment
- Hold time up to 20 days when properly charged
- Rigid steel frame can be moved with pallet jack/ forklift
- Sized to fit in a wide-body aircraft
- Inventory tray locks to prevent rotation during transit
- Locking lid
- Includes data logger to monitor and record sample temperature during shipment or relocation



Temperature Test Graph

* Temp Test indicates typical performance of MVE 1536PD freezer with full inventory system and factory recommended level settings. Actual performance may vary with atmospheric conditions and usage.

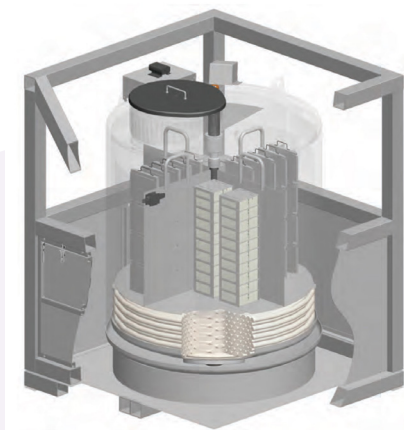
MVE 1536 Dry Shipper

Maximum Storage Capacity	
○ 1.2 & 2 ml Vials (Internally Threaded)	36400
○ Quantity of Large Racks 100 cell boxes	24
○ Quantity of Mini Racks 25 cell boxes	16
○ Number of Shelves per Rack	13
Performance	
○ Absorbed LN ₂ Capacity L est.	320
Unit Dimensions	
○ Neck Opening in. (mm)	17.5 (444)
○ Usable Internal Height in. (mm)	30 (762)
○ Inner Diameter in. (mm)	38.5 (978)
○ Overall Height including Frame** in. (mm)	64 (1625)
○ Liftover Height in. (mm)	42.1 (1070)
○ Step Height in. (mm)	20.5 (521)
○ Depth of Fold Down Step in. (mm)	10.8 (274)
○ Footprint in. (mm)	52x52 (1321x1321)
○ Weight Empty* lb. (kg)	1600 (726)
○ Weight Liquid Full* lb. (kg) est.	2044 (927)

THREE Year Vacuum Warranty • TWO Year Parts Warranty

Conforms to MDD 93/42/EEC, the Medical Device Directive for the EU. Freezer systems UL/C-UL Listed.

* Without inventory | **Contact Tech Service for detailed drawings.



Tank Features



Locking Cabinet



Data Logger



Top View



Tray

Rack Layout

Square Rack Layout

