



## Stainless Steel Refrigerators and Freezers

Our **FUTURA Silver Series** stainless steel refrigerators and freezers are designed for a variety of applications in the research market. They come standard with an all stainless steel construction and locking casters.



LABK-18-SDSS

### Optional Features:

- Additional shelves
- Additional shelf clips

### Standard Product Features:

- 18 cu. ft. capacity
- Auto defrost
- Dynamic condenser improves performance in higher temperature environments
- Painted steel exterior and interior
- Solid door and glass door models available
- Right hand swing door with pull handle
- Mechanical control
- Internal temperature display
- Vinyl-coated steel, adjustable shelves
- Heavy-duty, locking casters
- Self-closing door with 90-degree stay-open feature
- Interior lighting
- CSA-US listed
- Warranty: 3 years parts and labor, 5 years compressor parts only



LABK-18-HGSS

**LAB**RepCo

One Company • Many Solutions

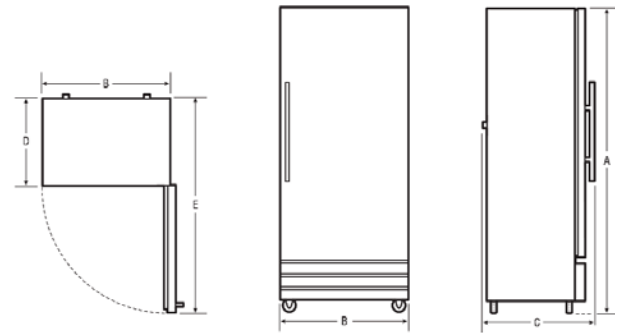
Specifications and Ordering Information:

Models	<i>LABK-18-HGSS</i>	<i>LABK-18-SDSS</i>	<i>LABK-18-FASS</i>
Interior cu. ft.	18	17.89	18
Height <b>A</b> (with casters)	75"	75"	75"
Width <b>B</b>	32"	32"	32"
Overall Depth <b>C</b> (with door & handle)	31 1/8"	31 1/8"	31 1/8"
Cabinet Depth <b>D</b>	29"	29"	29"
Depth <b>E</b> (with door open 90°)	57"	57"	57"
Shipping Weight (lbs.)	275	275	275
Number of Casters	4	4	4
Number of Shelves	4	4	4
Temperature Range	0°C to +6.6°C (+32°F to +44°F)	0°C to +6.6°C (+32°F to +44°F)	-12.2° to -23.3°C +10° to -10°F
Compressor Size HP	1/4	1/4	1/2
Plug (Receptacle)	5-15P (5-15R)	5-15P (5-15R)	5-15P (5-15R)
Voltage	115V / 5A	115V / 5A	115V / 5A

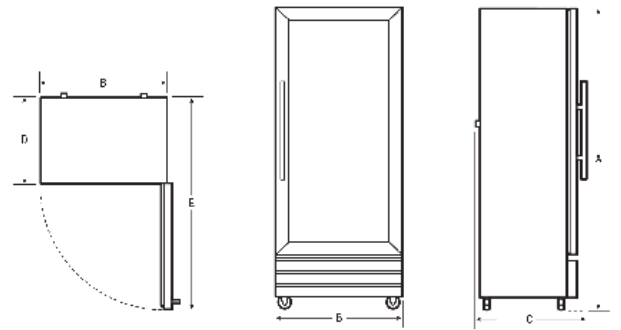
Specifications subject to change without notice.



LABK-18-SDSS (with optional left hand swing) pictured with the LABK-18-FASS



LABK-18-SDSS and LABK-18-FASS



LABK-18-HGSS



One Company • Many Solutions  
Revision Date: 9/12/2014